

TWIN-BEAM

INFRARED PHOTOBEM SENSOR

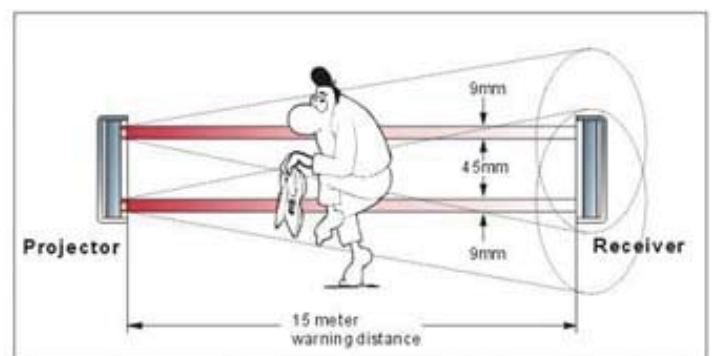


LK-15HDI

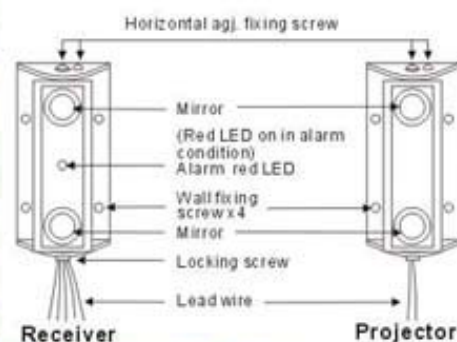
- ⊙ Protection range: 15m(in door)
- ⊙ Beam protection for entrances, exits, corridors and staircases.
- ⊙ LED alignment indicator-visibly confirms proper alignment.
- ⊙ Two synchronized beams of pulsed infrared energy, no vertical alignment necessary.

Specification

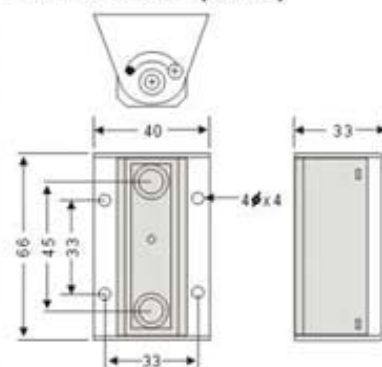
MODEL	LK-15HDI
Detection method	Infrared photoelectric
Alarm distance	15m(Twin-Beam)
Infrared rags used	Wavelength 9400Å, modulated frequency 38K Hz carrier frequency 400 Hz
Response time	50~100m sec
Alignment angle	Horizontal ± 90°
Alarm signal	Non-voltage contact 1a, 1b (Contact capacity 0.5A/1 20V AC, 1A/24V DC)
Input power	DC 11V~20V
Power consumption	35mA(DC 12V)
Operating temperature	-10°C~50°C
Place of installation	Indoor
Weight	200g



Parts identification



Dimensions (m/m)



Wiring configuration

